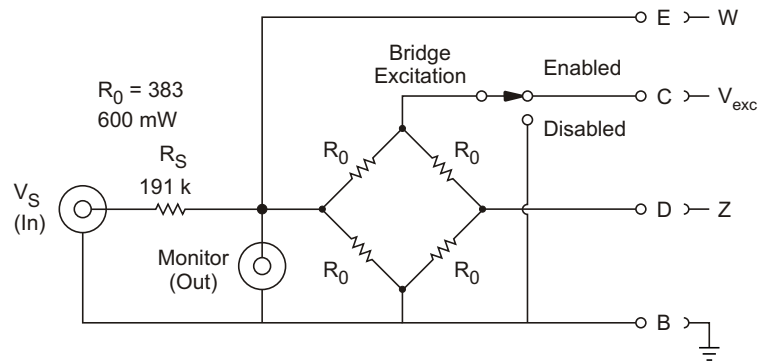
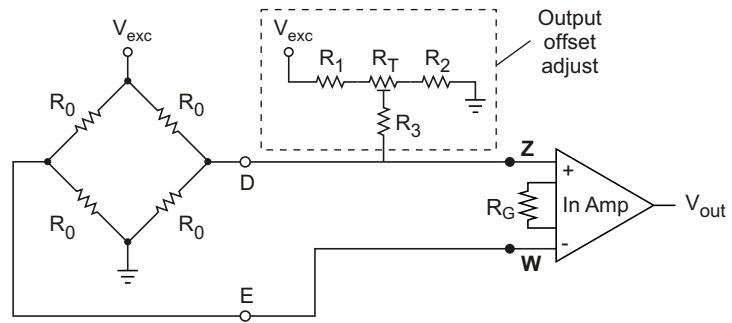


**Notes:**

1. On Analog Devices AC1213 board this connection must be made on the edge connector. On REKLAB AC1213 board this connection is already on the printed circuit board.
2. On Analog Devices AC1213 board this connection must be made at the receptacle. On REKLAB AC1213 board this connection may be made at the printed circuit board terminal labeled as SHIELD.



$$V_W = \frac{R_S \parallel R_0}{R_S \parallel R_0 + R_0} V_{exc} + \frac{R_0}{R_0 + 2R_S} V_S$$

$$V_W = 0.4995 V_{exc} + 1.002 \times 10^{-3} V_S$$