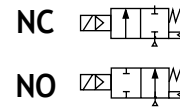




Pilot Operated  
**General Service Solenoid Valves**  
 Brass or Stainless Steel Bodies  
 3/8" to 2 1/2" NPT



**2/2**  
 SERIES  
**8210**

**Features**

- Wide range of pressure ratings, sizes, and resilient materials provide long service life and low internal leakage.
- High Flow Valves for liquid, corrosive, and air/inert gas service.
- Industrial applications include:
  - Car wash
  - Laundry equipment
  - Air compressors
  - Industrial water control
  - Pumps

**Construction**

| Valve Parts in Contact with Fluids |                      |                     |
|------------------------------------|----------------------|---------------------|
| Body                               | Brass                | 304 Stainless Steel |
| Seals and Discs                    | NBR or PTFE          |                     |
| Disc-Holder                        | PA                   |                     |
| Core Tube                          | 305 Stainless Steel  |                     |
| Core and Plugnut                   | 430F Stainless Steel |                     |
| Springs                            | 302 Stainless Steel  |                     |
| Shading Coil                       | Copper               | Silver              |

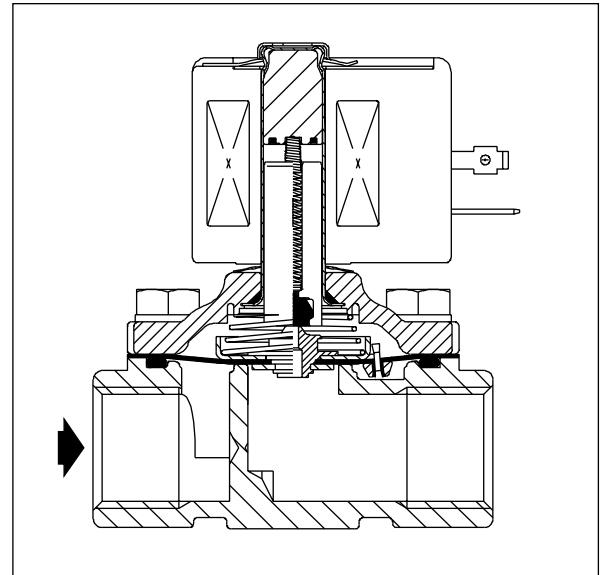
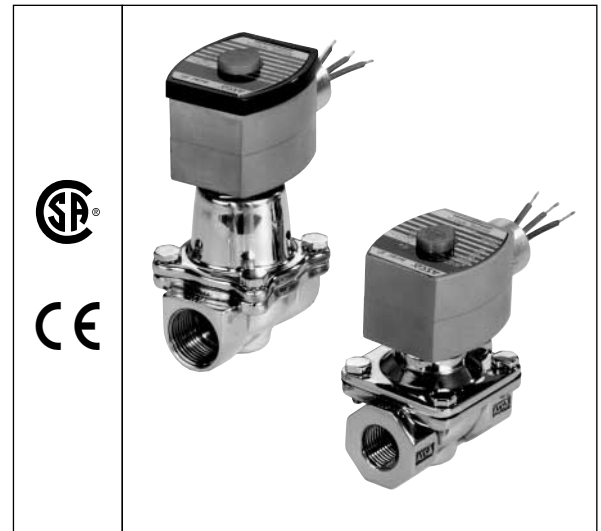
**Electrical**

| Standard Coil and Class of Insulation | Watt Rating and Power Consumption |       |            |           | Spare Coil Part Number |        |                |        |
|---------------------------------------|-----------------------------------|-------|------------|-----------|------------------------|--------|----------------|--------|
|                                       | DC Watts                          | AC    |            |           | General Purpose        |        | Explosionproof |        |
|                                       |                                   | Watts | VA Holding | VA Inrush | AC                     | DC     | AC             | DC     |
| F                                     | -                                 | 6.1   | 16         | 40        | 238210                 | -      | 238214         | -      |
| F                                     | 11.6                              | 10.1  | 25         | 70        | 238610                 | 238710 | 238614         | 238714 |
| F                                     | 16.8                              | 16.1  | 35         | 180       | 272610                 | 97617  | 272614         | 97617  |
| F                                     | -                                 | 17.1  | 40         | 93        | 238610                 | -      | 238614         | -      |
| F                                     | -                                 | 20    | 43         | 240       | 99257                  | -      | 99257          | -      |
| F                                     | -                                 | 20.1  | 48         | 240       | 272610                 | -      | 272614         | -      |
| H                                     | 30.6                              | -     | -          | -         | -                      | 74073  | -              | 74073  |
| F                                     | 40.6                              | -     | -          | -         | -                      | 238910 | -              | 238914 |

**Standard Voltages:** 24, 120, 240, 480 volts AC, 60 Hz (or 110, 220 volts AC, 50 Hz). 6, 12, 24, 120, 240 volts DC. Must be specified when ordering. Other voltages available when required.

**Solenoid Enclosures**

**Standard:** Red-Hat II - Watertight, Types 1, 2, 3, 3S, 4, and 4X; Red-Hat - Type I.  
**Optional:** Red-Hat II - Explosionproof and Watertight, Types 3, 3S, 4, 4X, 6, 6P, 7, and 9; Red-Hat - Explosionproof and Watertight, Types 3, 4, 4X, 7, and 9.  
 (To order, add prefix "EF" to catalog number, except Catalog Numbers 8210B57, 8210B58, and 8210B59. Valves not available with Explosionproof enclosures.)  
 See *Optional Features Section* for other available options.



**Nominal Ambient Temperature Ranges:**

- Red-Hat II/
- Red-Hat AC: 32°F to 125°F (0°C to 52°C)
- Red-Hat II DC: 32°F to 104°F (0°C to 40°C)
- Red-Hat DC: 32°F to 77°F (0°C to 25°C)  
 (104°F/40°C occasionally)

Refer to *Engineering Section* for details.

**Approvals:**

CSA certified. Red-Hat II meets applicable CE directives.  
 Refer to *Engineering Section* for details.

Specifications (English units)

| Pipe Size (ins.)   | Orifice Size (ins.) | Cv Flow Factor | Operating Pressure Differential (psi) |               |       |                     |               |       |                     | Max. Fluid Temp. °F |     | Brass Body     |                    |              | Stainless Steel Body |                    |              | Watt Rating/Class of Coil Insulation ⑦ |        |
|--|---------------------|----------------|---------------------------------------|---------------|-------|---------------------|---------------|-------|---------------------|---------------------|-----|----------------|--------------------|--------------|----------------------|--------------------|--------------|--|--------|
|  |                     |                | Min.                                  | Max. AC       |       |                     | Max. DC       |       |                     | AC                  | DC  | Catalog Number | Constr. Ref. No. ④ | UL ⑤ Listing | Catalog Number       | Constr. Ref. No. ④ | UL ⑤ Listing | AC                                     | DC     |
|  |                     |                |                                       | Air-Inert Gas | Water | Light Oil @ 300 SSU | Air-Inert Gas | Water | Light Oil @ 300 SSU |                     |     |                |                    |              |                      |                    |              |  |        |
| <b>NORMALLY CLOSED (Closed when de-energized), NBR or PTFE ② Seating</b>                     |                     |                |                                       |               |       |                     |               |       |                     |                     |     |                |                    |              |                      |                    |              |  |        |
| 3/8  | 3/8                 | 1.5            | ①                                     | 150           | 125   | -                   | 40            | 40    | -                   | 180                 | 150 | 8210G73 ③      | 1P                 | ●            | 8210G36 ③            | 1P                 | ●            | 6.1/F                                  | 11.6/F |
| 3/8  | 5/8                 | 3              | 0                                     | 150           | 150   | -                   | 40            | 40    | -                   | 180                 | 150 | 8210G93        | 5D                 | ○            | -                    | -                  | -            | 10.1/F                                 | 11.6/F |
| 3/8  | 5/8                 | 3              | 5                                     | 200           | 150   | 135                 | 125           | 100   | 100                 | 180                 | 150 | 8210G1         | 6D                 | ○            | -                    | -                  | -            | 6.1/F                                  | 11.6/F |
| 3/8  | 5/8                 | 3              | 5                                     | 300           | 300   | 300                 | -             | -     | -                   | 175                 | -   | 8210G6         | 5D                 | ○            | -                    | -                  | -            | 17.1/F                                 | -      |
| 1/2  | 7/16                | 2.2            | ①                                     | 150           | 125   | -                   | 40            | 40    | -                   | 180                 | 150 | 8210G15 ③      | 2P                 | ●            | 8210G37 ③            | 2P                 | ●            | 6.1/F                                  | 11.6/F |
| 1/2  | 5/8                 | 4              | 0                                     | 150           | 150   | -                   | 40            | 40    | -                   | 180                 | 150 | 8210G94        | 5D                 | ○            | -                    | -                  | -            | 10.1/F                                 | 11.6/F |
| 1/2  | 5/8                 | 4              | 0                                     | 150           | 150   | 125                 | 40            | 40    | -                   | 175                 | 150 | -              | -                  | -            | 8210G87              | 7D                 | ●            | 17.1/F                                 | 11.6/F |
| 1/2  | 5/8                 | 4              | 5                                     | 200           | 150   | 135                 | 125           | 100   | 100                 | 180                 | 150 | 8210G2         | 6D                 | ○            | -                    | -                  | -            | 6.1/F                                  | 11.6/F |
| 1/2  | 5/8                 | 4              | 5                                     | 300           | 300   | 300                 | -             | -     | -                   | 175                 | -   | 8210G7         | 5D                 | ○            | -                    | -                  | -            | 17.1/F                                 | -      |
| 1/2  | 5/8                 | 4              | 5                                     | 300           | 300   | -                   | 300           | 300   | -                   | 180                 | 125 | 8210G227       | 5D                 | ○            | -                    | -                  | -            | 17.1/F                                 | 40.6/H |
| 3/4  | 5/8                 | 4.5            | 0                                     | 150           | 150   | 125                 | 40            | 40    | -                   | 175                 | 150 | -              | -                  | -            | 8210G88              | 7D                 | ●            | 17.1/F                                 | 11.6/F |
| 3/4  | 3/4                 | 5              | 5                                     | 125           | 125   | 125                 | 100           | 90    | 75                  | 180                 | 150 | 8210G9         | 9D                 | ○            | -                    | -                  | -            | 6.1/F                                  | 11.6/F |
| 3/4  | 3/4                 | 5              | 0                                     | 150           | 150   | -                   | 40            | 40    | -                   | 180                 | 150 | 8210G95        | 8D                 | ○            | -                    | -                  | -            | 10.1/F                                 | 11.6/F |
| 3/4  | 3/4                 | 6.5            | 5                                     | 250           | 150   | 100                 | 125           | 125   | 125                 | 180                 | 150 | 8210G3         | 11D                | ○            | -                    | -                  | -            | 6.1/F                                  | 11.6/F |
| 3/4  | 3/4                 | 6              | 0                                     | -             | -     | -                   | 200           | 180   | 180                 | -                   | 77  | 8210B26 ② ‡    | 10P                | -            | -                    | -                  | -            | -                                      | 30.6/H |
| 3/4  | 3/4                 | 6              | 0                                     | 350           | 300   | 200                 | -             | -     | -                   | 200                 | -   | 8210G26 ② ‡    | 40P                | ●            | -                    | -                  | -            | 16.1F                                  | -      |
| 1  | 1                   | 13             | 0                                     | -             | -     | -                   | 100           | 100   | 80                  | -                   | 77  | 8210B54 ‡      | 31D                | -            | 8210D89              | 15D                | -            | -                                      | 30.6/H |
| 1  | 1                   | 13             | 0                                     | 150           | 125   | 125                 | -             | -     | -                   | 180                 | -   | 8210G54        | 41D                | ●            | 8210G89              | 45D                | ●            | 16.1/F                                 | -      |
| 1  | 1                   | 13             | 5                                     | 150           | 150   | 100                 | 125           | 125   | 125                 | 180                 | 150 | 8210G4         | 12D                | ○            | -                    | -                  | -            | 6.1/F                                  | 11.6/F |
| 1  | 1                   | 13.5           | 0                                     | 300           | 225   | 115                 | -             | -     | -                   | 200                 | -   | 8210G27 ‡      | 42P                | ●            | -                    | -                  | -            | 20.1/F                                 | -      |
| 1  | 1                   | 13.5           | 10                                    | 300           | 300   | 300                 | -             | -     | -                   | 175                 | -   | 8210G78 ②      | 13P                | -            | -                    | -                  | -            | 17.1/F                                 | -      |
| 1 1/4  | 1 1/8               | 15             | 0                                     | -             | -     | -                   | 100           | 100   | 80                  | -                   | 77  | 8210B55 ‡      | 32D                | -            | -                    | -                  | -            | -                                      | 30.6/H |
| 1 1/4  | 1 1/8               | 15             | 0                                     | 150           | 125   | 125                 | -             | -     | -                   | 180                 | -   | 8210G55        | 43D                | ●            | -                    | -                  | -            | 16.1/F                                 | -      |
| 1 1/4  | 1 1/8               | 15             | 5                                     | 150           | 150   | 100                 | 125           | 125   | 125                 | 180                 | 150 | 8210G8         | 16D                | ○            | -                    | -                  | -            | 6.1/F                                  | 11.6/F |
| 1 1/2  | 1 1/4               | 22.5           | 0                                     | -             | -     | -                   | 100           | 100   | 80                  | -                   | 77  | 8210B56 ‡      | 33D                | -            | -                    | -                  | -            | -                                      | 30.6/H |
| 1 1/2  | 1 1/4               | 22.5           | 0                                     | 150           | 125   | 125                 | -             | -     | -                   | 180                 | -   | 8210G56 ‡      | 44D                | ●            | -                    | -                  | -            | 16.1/F                                 | -      |
| 1 1/2  | 1 1/4               | 22.5           | 5                                     | 150           | 150   | 100                 | 125           | 125   | 125                 | 180                 | 150 | 8210G22        | 18D                | ●            | -                    | -                  | -            | 6.1/F                                  | 11.6/F |
| 2  | 1 3/4               | 43             | 5                                     | 150           | 125   | 90                  | 50            | 50    | 50                  | 180                 | 150 | 8210G100       | 20P                | ●            | -                    | -                  | -            | 6.1/F                                  | 11.6/F |
| 2 1/2  | 1 3/4               | 45             | 5                                     | 150           | 125   | 90                  | 50            | 50    | 50                  | 180                 | 150 | 8210G101       | 21P                | ●            | -                    | -                  | -            | 6.1/F                                  | 11.6/F |
| <b>NORMALLY OPEN (Open when de-energized), NBR Seating (PA Disc-Holder, except as noted)</b> |                     |                |                                       |               |       |                     |               |       |                     |                     |     |                |                    |              |                      |                    |              |  |        |
| 3/8  | 5/8                 | 3              | 0                                     | 150           | 150   | 125                 | 125           | 125   | 80                  | 180                 | 150 | 8210G33        | 23D                | ●            | -                    | -                  | -            | 10.1/F                                 | 11.6/F |
| 3/8  | 5/8                 | 3              | 5                                     | 250           | 200   | 200                 | 250           | 200   | 200                 | 180                 | 180 | 8210G11 ⑧ ⑨    | 39D                | ●            | -                    | -                  | -            | 10.1/F                                 | 11.6/F |
| 1/2  | 5/8                 | 4              | 0                                     | 150           | 150   | 125                 | 125           | 125   | 80                  | 180                 | 150 | 8210G34        | 23D                | ●            | -                    | -                  | -            | 10.1/F                                 | 11.6/F |
| 1/2  | 5/8                 | 3              | 0                                     | 150           | 150   | 100                 | 125           | 125   | 80                  | 180                 | 150 | -              | -                  | -            | 8210G30              | 37D                | ●            | 10.1/F                                 | 11.6/F |
| 1/2  | 5/8                 | 4              | 5                                     | 250           | 200   | 200                 | 250           | 200   | 200                 | 180                 | 180 | 8210G12 ⑧ ⑨    | 39D                | ●            | -                    | -                  | -            | 10.1/F                                 | 11.6/F |
| 3/4  | 3/4                 | 5.5            | 0                                     | 150           | 150   | 125                 | 125           | 125   | 80                  | 180                 | 150 | 8210G35        | 25D                | ●            | -                    | -                  | -            | 10.1/F                                 | 11.6/F |
| 3/4  | 5/8                 | 3              | 0                                     | 150           | 150   | 100                 | 125           | 125   | 80                  | 180                 | 150 | -              | -                  | -            | 8210G38              | 38D                | ●            | 10.1/F                                 | 11.6/F |
| 3/4  | 3/4                 | 6.5            | 5                                     | -             | -     | -                   | 250           | 200   | 200                 | -                   | 180 | 8210C13        | 24D                | ●            | -                    | -                  | -            | -                                      | 16.8/F |
| 3/4  | 3/4                 | 6.5            | 5                                     | 250           | 200   | 200                 | -             | -     | -                   | 180                 | -   | 8210G13        | 46D                | ●            | -                    | -                  | -            | 16.1/F                                 | -      |
| 1  | 1                   | 13             | 0                                     | 125           | 125   | 125                 | -             | -     | -                   | 180                 | -   | 8210B57 ⑥ ⑩    | 34D                | ●            | -                    | -                  | -            | 20/F                                   | -      |
| 1  | 1                   | 13             | 5                                     | -             | -     | -                   | 125           | 125   | 125                 | -                   | 180 | 8210D14        | 26D                | ●            | -                    | -                  | -            | -                                      | 16.8/F |
| 1  | 1                   | 13             | 5                                     | 150           | 150   | 125                 | -             | -     | -                   | 180                 | -   | 8210G14        | 47D                | ●            | -                    | -                  | -            | 16.1/F                                 | -      |
| 1 1/4  | 1 1/8               | 15             | 0                                     | 125           | 125   | 125                 | -             | -     | -                   | 180                 | -   | 8210B58 ⑥ ⑩    | 35D                | ●            | -                    | -                  | -            | 20/F                                   | -      |
| 1 1/4  | 1 1/8               | 15             | 5                                     | -             | -     | -                   | 125           | 125   | 125                 | -                   | 180 | 8210D18        | 28D                | ●            | -                    | -                  | -            | -                                      | 16.8/F |
| 1 1/4  | 1 1/8               | 15             | 5                                     | 150           | 150   | 125                 | -             | -     | -                   | 180                 | -   | 8210G18        | 48D                | ●            | -                    | -                  | -            | 16.1/F                                 | -      |
| 1 1/2  | 1 1/4               | 22.5           | 0                                     | 125           | 125   | 125                 | -             | -     | -                   | 180                 | -   | 8210B59 ⑥ ⑩    | 36D                | ●            | -                    | -                  | -            | 20/F                                   | -      |
| 1 1/2  | 1 1/4               | 22.5           | 5                                     | -             | -     | -                   | 125           | 125   | 125                 | -                   | 180 | 8210D32        | 29D                | ●            | -                    | -                  | -            | -                                      | 16.8/F |
| 1 1/2  | 1 1/4               | 22.5           | 5                                     | 150           | 150   | 125                 | -             | -     | -                   | 180                 | -   | 8210G32        | 49D                | ●            | -                    | -                  | -            | 16.1/F                                 | -      |
| 2  | 1 3/4               | 43             | 5                                     | -             | -     | -                   | 125           | 125   | 125                 | -                   | 150 | 8210I03        | 30P                | ●            | -                    | -                  | -            | -                                      | 16.8/F |
| 2  | 1 3/4               | 43             | 5                                     | 125           | 125   | 125                 | -             | -     | -                   | 180                 | -   | 8210G103       | 50P                | ●            | -                    | -                  | -            | 16.1/F                                 | -      |
| 2 1/2  | 1 3/4               | 45             | 5                                     | -             | -     | -                   | 125           | 125   | 125                 | -                   | 150 | 8210I04        | 27P                | ●            | -                    | -                  | -            | -                                      | 16.8/F |
| 2 1/2  | 1 3/4               | 45             | 5                                     | 125           | 125   | 125                 | -             | -     | -                   | 180                 | -   | 8210G104       | 51P                | ●            | -                    | -                  | -            | 16.1/F                                 | -      |

**Notes:** ① 5 psi on Air; 1 psi on Water.  
 ② Valve provided with PTFE main disc.  
 ③ Valve includes Ultem (G.E. trademark) piston.  
 ④ Letter "D" denotes diaphragm construction; "P" denotes piston construction.  
 ⑤ ○ Safety Shutoff Valve; ● General Purpose Valve.  
 Refer to Engineering Section (Approvals) for details.

⑥ Valves not available with Explosionproof enclosures.  
 ⑦ On 50 hertz service, the watt rating for the 6.1/F solenoid is 8.1 watts.  
 ⑧ AC construction also has PA seating.  
 ⑨ No disc-holder.  
 ⑩ Stainless Steel disc-holder.  
 ‡ Must have solenoid mounted vertical and upright.

Specifications (Metric units)

| Pipe Size (ins.)   | Orifice Size (mm) | Kv Flow Factor (m3/h) | Operating Pressure Differential (bar) |               |       |                     |               |         |                     |    |    | Max. Fluid Temp. °C |     | Brass Body     |                    |              | Stainless Steel Body |                    |              | Watt Rating/ Class of Coil Insulation ⑦ |    |
|--|-------------------|-----------------------|---------------------------------------|---------------|-------|---------------------|---------------|---------|---------------------|----|----|---------------------|-----|----------------|--------------------|--------------|----------------------|--------------------|--------------|---|----|
|  |                   |                       | Max. AC                               |               |       |                     |               | Max. DC |                     |    |    | AC                  | DC  | Catalog Number | Constr. Ref. No. ④ | UL ⑤ Listing | Catalog Number       | Constr. Ref. No. ④ | UL ⑤ Listing | AC                                      | DC |
|  |                   |                       | Min.                                  | Air-Inert Gas | Water | Light Oil @ 300 SSU | Air-Inert Gas | Water   | Light Oil @ 300 SSU |    |    |                     |     |                |                    |              |                      |                    |              |   |    |
| <b>NORMALLY CLOSED (Closed when de-energized), NBR or PTFE ② Seating</b>                     |                   |                       |                                       |               |       |                     |               |         |                     |    |    |                     |     |                |                    |              |                      |                    |              |   |    |
| 3/8  | 10                | 1.29                  | ①                                     | 10            | 9     | -                   | 3             | 3       | -                   | 81 | 65 | 8210G73 ③           | 1P  | ●              | 8210G36 ③          | 1P           | ●                    | 6.1/F              | 11.6/F       |   |    |
| 3/8  | 16                | 2.57                  | 0                                     | 10            | 10    | -                   | 3             | 3       | -                   | 81 | 65 | 8210G93             | 5D  | ○              | -                  | -            | -                    | 10.1/F             | 11.6/F       |   |    |
| 3/8  | 16                | 2.57                  | 0.3                                   | 14            | 10    | 9                   | 9             | 7       | 7                   | 81 | 65 | 8210G1              | 6D  | ○              | -                  | -            | -                    | 6.1/F              | 11.6/F       |   |    |
| 3/8  | 16                | 2.57                  | 0.3                                   | 21            | 21    | 21                  | -             | -       | -                   | 79 | -  | 8210G6              | 5D  | ○              | -                  | -            | -                    | 17.1/F             | -            |   |    |
| 1/2  | 11                | 1.89                  | ①                                     | 10            | 9     | -                   | 3             | 3       | -                   | 81 | 65 | 8210G15 ③           | 2P  | ●              | 8210G37 ③          | 2P           | ●                    | 6.1/F              | 11.6/F       |   |    |
| 1/2  | 16                | 3.43                  | 0                                     | 10            | 10    | -                   | 3             | 3       | -                   | 81 | 65 | 8210G94             | 5D  | ○              | -                  | -            | -                    | 10.1/F             | 11.6/F       |   |    |
| 1/2  | 16                | 3.43                  | 0                                     | 10            | 10    | 9                   | 3             | 3       | -                   | 79 | 65 | -                   | -   | -              | 8210G87            | 7D           | ●                    | 17.1/F             | 11.6/F       |   |    |
| 1/2  | 16                | 3.43                  | 0.3                                   | 14            | 10    | 9                   | 9             | 7       | 7                   | 81 | 65 | 8210G2              | 6D  | ○              | -                  | -            | -                    | 6.1/F              | 11.6/F       |   |    |
| 1/2  | 16                | 3.43                  | 0.3                                   | 21            | 21    | 21                  | -             | -       | -                   | 79 | -  | 8210G7              | 5D  | ○              | -                  | -            | -                    | 17.1/F             | -            |   |    |
| 1/2  | 16                | 3.43                  | 0.3                                   | 21            | 21    | -                   | 21            | 21      | -                   | 81 | 52 | 8210G227            | 5D  | ○              | -                  | -            | -                    | 17.1/F             | 40.6F        |   |    |
| 3/4  | 16                | 3.86                  | 0                                     | 10            | 10    | 9                   | 3             | 3       | -                   | 79 | 65 | -                   | -   | -              | 8210G88            | 7D           | ●                    | 17.1/F             | 11.6/F       |   |    |
| 3/4  | 19                | 4.29                  | 0.3                                   | 9             | 9     | 9                   | 7             | 6       | 5                   | 81 | 65 | 8210G9              | 9D  | ○              | -                  | -            | -                    | 6.1/F              | 11.6/F       |   |    |
| 3/4  | 19                | 4.29                  | 0                                     | 10            | 10    | -                   | 3             | 3       | -                   | 81 | 65 | 8210G95             | 8D  | ○              | -                  | -            | -                    | 10.1/F             | 11.6/F       |   |    |
| 3/4  | 19                | 5.57                  | 0.3                                   | 17            | 10    | 7                   | 9             | 9       | 9                   | 81 | 65 | 8210G3              | 11D | ○              | -                  | -            | -                    | 6.1/F              | 11.6/F       |   |    |
| 3/4  | 19                | 5.14                  | 0                                     | -             | -     | -                   | 14            | 12      | 12                  | -  | 25 | 8210B26 ② ‡         | 10P | -              | -                  | -            | -                    | -                  | 30.6/H       |   |    |
| 3/4  | 19                | 5.14                  | 0                                     | 24            | 21    | 14                  | -             | -       | -                   | 92 | -  | 8210G26 ② ‡         | 40P | ●              | -                  | -            | -                    | -                  | 16.1F        |   |    |
| 1  | 25                | 11.14                 | 0                                     | -             | -     | -                   | 7             | 7       | 6                   | -  | 25 | 8210B54 ‡           | 31D | -              | 8210D89            | 15D          | -                    | -                  | 30.6/H       |   |    |
| 1  | 25                | 11.14                 | 0                                     | 10            | 9     | 9                   | -             | -       | -                   | 81 | -  | 8210G54             | 41D | ●              | 8210G89            | 45D          | ●                    | 16.1/F             | -            |   |    |
| 1  | 25                | 11.14                 | 0.3                                   | 10            | 10    | 7                   | 9             | 9       | 9                   | 81 | 65 | 8210G4              | 12D | ○              | -                  | -            | -                    | 6.1/F              | 11.6/F       |   |    |
| 1  | 25                | 11.57                 | 0                                     | 21            | 16    | 8                   | -             | -       | -                   | 92 | -  | 8210G27 ‡           | 42P | ●              | -                  | -            | -                    | 20.1/F             | -            |   |    |
| 1  | 25                | 11.57                 | 0.7                                   | 21            | 21    | 21                  | -             | -       | -                   | 79 | -  | 8210G78 ②           | 13P | -              | -                  | -            | -                    | 17.1/F             | -            |   |    |
| 1 1/4  | 29                | 12.86                 | 0                                     | -             | -     | -                   | 7             | 7       | 6                   | -  | 25 | 8210B55 ‡           | 32D | -              | -                  | -            | -                    | -                  | 30.6/H       |   |    |
| 1 1/4  | 29                | 12.86                 | 0                                     | 10            | 9     | 9                   | -             | -       | -                   | 81 | -  | 8210G55             | 43D | ●              | -                  | -            | -                    | -                  | 16.1/F       |   |    |
| 1 1/4  | 29                | 12.86                 | 0.3                                   | 10            | 10    | 7                   | 9             | 9       | 9                   | 81 | 65 | 8210G8              | 16D | ○              | -                  | -            | -                    | -                  | 6.1/F        |   |    |
| 1 1/2  | 32                | 19.29                 | 0                                     | -             | -     | -                   | 7             | 7       | 6                   | -  | 25 | 8210B56 ‡           | 33D | -              | -                  | -            | -                    | -                  | 30.6/H       |   |    |
| 1 1/2  | 32                | 19.29                 | 0                                     | 10            | 9     | 9                   | -             | -       | -                   | 81 | -  | 8210G56 ‡           | 44D | ●              | -                  | -            | -                    | -                  | 16.1/F       |   |    |
| 1 1/2  | 32                | 19.29                 | 0.3                                   | 10            | 10    | 7                   | 9             | 9       | 9                   | 81 | 65 | 8210G22             | 18D | ●              | -                  | -            | -                    | -                  | 6.1/F        |   |    |
| 2  | 44                | 36.86                 | 0.3                                   | 10            | 9     | 6                   | 3             | 3       | 3                   | 81 | 65 | 8210G100            | 20P | ●              | -                  | -            | -                    | -                  | 6.1/F        |   |    |
| 2 1/2  | 44                | 38.57                 | 0.3                                   | 10            | 9     | 6                   | 3             | 3       | 3                   | 81 | 65 | 8210G101            | 21P | ●              | -                  | -            | -                    | -                  | 6.1/F        |   |    |
| <b>NORMALLY OPEN (Open when de-energized), NBR Seating (PA Disc-Holder, except as noted)</b> |                   |                       |                                       |               |       |                     |               |         |                     |    |    |                     |     |                |                    |              |                      |                    |              |   |    |
| 3/8  | 16                | 2.57                  | 0.0                                   | 10            | 10    | 9                   | 9             | 9       | 6                   | 81 | 65 | 8210G33             | 23D | ●              | -                  | -            | -                    | -                  | 10.1/F       |   |    |
| 3/8  | 16                | 2.57                  | 0.3                                   | 17            | 14    | 14                  | 17            | 14      | 14                  | 81 | 81 | 8210G11 ⑧ ⑨         | 39D | ●              | -                  | -            | -                    | -                  | 10.1/F       |   |    |
| 1/2  | 16                | 3.43                  | 0                                     | 10            | 10    | 9                   | 9             | 9       | 6                   | 81 | 65 | 8210G34             | 23D | ●              | -                  | -            | -                    | -                  | 10.1/F       |   |    |
| 1/2  | 16                | 2.57                  | 0                                     | 10            | 10    | 7                   | 9             | 9       | 6                   | 81 | 65 | -                   | -   | -              | 8210G30            | 37D          | ●                    | 10.1/F             | 11.6/F       |   |    |
| 1/2  | 16                | 3.43                  | 0.3                                   | 17            | 14    | 14                  | 17            | 14      | 14                  | 81 | 81 | 8210G12 ⑧ ⑨         | 39D | ●              | -                  | -            | -                    | -                  | 10.1/F       |   |    |
| 3/4  | 19                | 4.71                  | 0                                     | 10            | 10    | 9                   | 9             | 9       | 6                   | 81 | 65 | 8210G35             | 25D | ●              | -                  | -            | -                    | -                  | 10.1/F       |   |    |
| 3/4  | 16                | 2.57                  | 0                                     | 10            | 10    | 7                   | 9             | 9       | 6                   | 81 | 65 | -                   | -   | -              | 8210G38            | 38D          | ●                    | 10.1/F             | 11.6/F       |   |    |
| 3/4  | 19                | 5.57                  | 0.3                                   | -             | -     | -                   | 17            | 14      | 14                  | -  | 81 | 8210C13             | 24D | ●              | -                  | -            | -                    | -                  | 16.8/F       |   |    |
| 3/4  | 19                | 5.57                  | 0.3                                   | 17            | 14    | 14                  | -             | -       | -                   | 81 | -  | 8210G13             | 46D | ●              | -                  | -            | -                    | -                  | 16.1/F       |   |    |
| 1  | 25                | 11.14                 | 0                                     | 9             | 9     | 9                   | -             | -       | -                   | 81 | -  | 8210B57 ⑥ ⑩         | 34D | ●              | -                  | -            | -                    | -                  | 20/F         |   |    |
| 1  | 25                | 11.14                 | 0.3                                   | -             | -     | -                   | 9             | 9       | 9                   | -  | 81 | 8210D14             | 26D | ●              | -                  | -            | -                    | -                  | 16.8/F       |   |    |
| 1  | 25                | 11.14                 | 0.3                                   | 10            | 10    | 9                   | -             | -       | -                   | 81 | -  | 8210G14             | 47D | ●              | -                  | -            | -                    | -                  | 16.1/F       |   |    |
| 1 1/4  | 29                | 12.86                 | 0                                     | 9             | 9     | 9                   | -             | -       | -                   | 81 | -  | 8210B58 ⑥ ⑩         | 35D | ●              | -                  | -            | -                    | -                  | 20/F         |   |    |
| 1 1/4  | 29                | 12.86                 | 0.3                                   | -             | -     | -                   | 9             | 9       | 9                   | -  | 81 | 8210D18             | 28D | ●              | -                  | -            | -                    | -                  | 16.8/F       |   |    |
| 1 1/4  | 29                | 12.86                 | 0.3                                   | 10            | 10    | 9                   | -             | -       | -                   | 81 | -  | 8210G18             | 48D | ●              | -                  | -            | -                    | -                  | 16.1/F       |   |    |
| 1 1/2  | 32                | 19.29                 | 0                                     | 9             | 9     | 9                   | -             | -       | -                   | 81 | -  | 8210B59 ⑥ ⑩         | 36D | ●              | -                  | -            | -                    | -                  | 20/F         |   |    |
| 1 1/2  | 32                | 19.29                 | 0.3                                   | -             | -     | -                   | 9             | 9       | 9                   | -  | 81 | 8210D32             | 29D | ●              | -                  | -            | -                    | -                  | 16.8/F       |   |    |
| 1 1/2  | 32                | 19.29                 | 0.3                                   | 10            | 10    | 9                   | -             | -       | -                   | 81 | -  | 8210G32             | 49D | ●              | -                  | -            | -                    | -                  | 16.1/F       |   |    |
| 2  | 44                | 36.86                 | 0.3                                   | -             | -     | -                   | 9             | 9       | 9                   | -  | 65 | 8210I03             | 30P | ●              | -                  | -            | -                    | -                  | 16.8/F       |   |    |
| 2  | 44                | 36.86                 | 0.3                                   | 9             | 9     | 9                   | -             | -       | -                   | 81 | -  | 8210G103            | 50P | ●              | -                  | -            | -                    | -                  | 16.1/F       |   |    |
| 2 1/2  | 44                | 38.57                 | 0.3                                   | -             | -     | -                   | 9             | 9       | 9                   | -  | 65 | 8210I04             | 27P | ●              | -                  | -            | -                    | -                  | 16.8/F       |   |    |
| 2 1/2  | 44                | 38.57                 | 0.3                                   | 9             | 9     | 9                   | -             | -       | -                   | 81 | -  | 8210G104            | 51P | ●              | -                  | -            | -                    | -                  | 16.1/F       |   |    |

**Notes:**

- ① 0.3 bar on Air; 0.0 bar on Water.
- ② Valve provided with PTFE main disc.
- ③ Valve includes Ultem (G.E. trademark) piston.
- ④ Letter "D" denotes diaphragm construction; "P" denotes piston construction.
- ⑤ ○ Safety Shutoff Valve; ● General Purpose Valve.

Refer to Engineering Section (Approvals) for details.

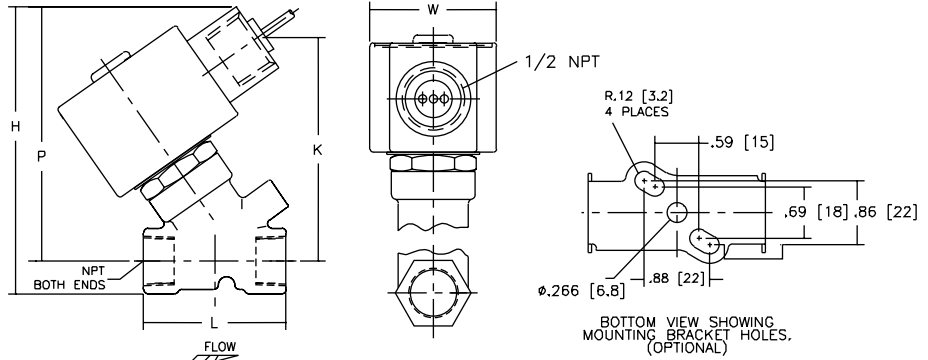
- ⑥ Valves not available with Explosionproof enclosures.
- ⑦ On 50 hertz service, the watt rating for the 6.1/F solenoid is 8.1 watts.
- ⑧ AC construction also has PA seating.
- ⑨ No disc-holder.
- ⑩ Stainless Steel disc-holder.
- ‡ Must have solenoid mounted vertical and upright.

Dimensions: inches (mm)

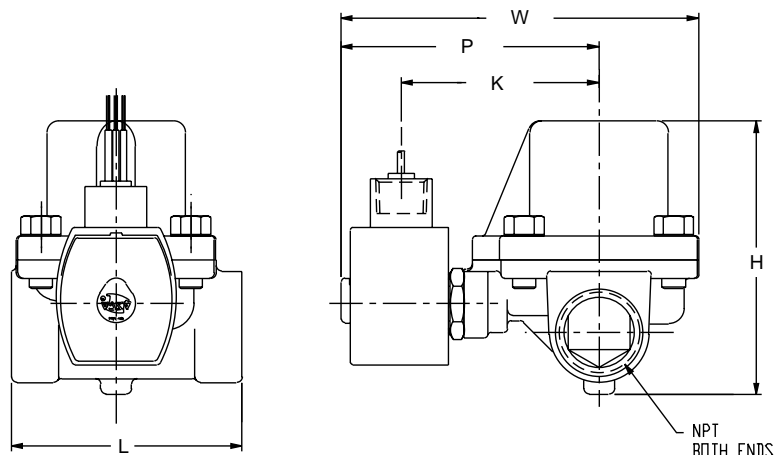
| Constr. Ref. No. |      | H    | K    | L    | P    | W    |
|------------------|------|------|------|------|------|------|
| 1*               | ins. | 3.85 | 3.00 | 1.91 | 3.41 | 1.69 |
|                  | mm   | 98   | 76   | 49   | 87   | 43   |
| 2*               | ins. | 4.17 | 3.25 | 2.28 | 3.63 | 1.69 |
|                  | mm   | 106  | 83   | 58   | 92   | 43   |
| 13               | ins. | 4.44 | 3.22 | 3.75 | 4.19 | 5.81 |
|                  | mm   | 113  | 82   | 95   | 106  | 147  |
| 5                | ins. | 3.84 | 2.31 | 2.75 | 3.28 | 2.28 |
|                  | mm   | 98   | 59   | 70   | 83   | 58   |
| 6*               | ins. | 3.38 | 1.94 | 2.75 | 2.80 | 2.28 |
|                  | mm   | 86   | 49   | 70   | 71   | 58   |
| 7                | ins. | 4.19 | 2.50 | 2.81 | 3.47 | 2.39 |
|                  | mm   | 106  | 64   | 71   | 88   | 61   |
| 8                | ins. | 4.13 | 2.47 | 2.81 | 3.44 | 2.29 |
|                  | mm   | 105  | 63   | 71   | 87   | 58   |
| 9*               | ins. | 3.66 | 2.10 | 2.81 | 2.96 | 2.28 |
|                  | mm   | 93   | 53   | 71   | 75   | 58   |
| 10* <sup>①</sup> | ins. | 5.25 | X    | 2.81 | 4.59 | 2.31 |
|                  | mm   | 133  | X    | 71   | 117  | 59   |
| 11*              | ins. | 4.16 | 2.66 | 3.84 | 3.52 | 2.75 |
|                  | mm   | 106  | 68   | 98   | 89   | 70   |
| 12               | ins. | 5.64 | 3.15 | 3.75 | 4.01 | 3.36 |
|                  | mm   | 143  | 80   | 95   | 102  | 85   |
| 15*              | ins. | 5.34 | X    | 3.75 | 4.47 | 3.84 |
|                  | mm   | 136  | X    | 95   | 114  | 98   |
| 16               | ins. | 5.64 | 3.15 | 3.66 | 4.01 | 3.56 |
|                  | mm   | 143  | 80   | 93   | 102  | 90   |
| 18               | ins. | 6.11 | 3.30 | 4.38 | 4.16 | 3.92 |
|                  | mm   | 155  | 84   | 111  | 106  | 100  |
| 20*              | ins. | 7.33 | 3.71 | 5.06 | 4.57 | 4.87 |
|                  | mm   | 186  | 94   | 129  | 116  | 124  |
| 21*              | ins. | 7.33 | 3.71 | 5.50 | 4.57 | 4.87 |
|                  | mm   | 186  | 94   | 140  | 116  | 124  |
| 23               | ins. | 4.35 | 2.65 | 2.75 | 3.79 | 2.28 |
|                  | mm   | 110  | 67   | 70   | 96   | 58   |
| 24               | ins. | 5.06 | X    | 3.78 | 4.44 | 2.75 |
|                  | mm   | 129  | X    | 96   | 113  | 70   |
| 25               | ins. | 4.64 | 2.81 | 2.81 | 3.94 | 2.28 |
|                  | mm   | 118  | 71   | 71   | 100  | 58   |
| 26               | ins. | 6.53 | X    | 3.75 | 4.91 | 3.19 |
|                  | mm   | 166  | X    | 95   | 125  | 81   |
| 27               | ins. | 8.22 | X    | 5.50 | 5.47 | 4.87 |
|                  | mm   | 209  | X    | 140  | 139  | 124  |
| 28               | ins. | 6.53 | X    | 3.66 | 4.91 | 3.19 |
|                  | mm   | 166  | X    | 93   | 125  | 81   |
| 29               | ins. | 7.03 | X    | 4.38 | 5.06 | 4.40 |
|                  | mm   | 179  | X    | 111  | 129  | 112  |

① Valves must be mounted with solenoid vertical and upright.  
\* DC dimensions slightly larger.

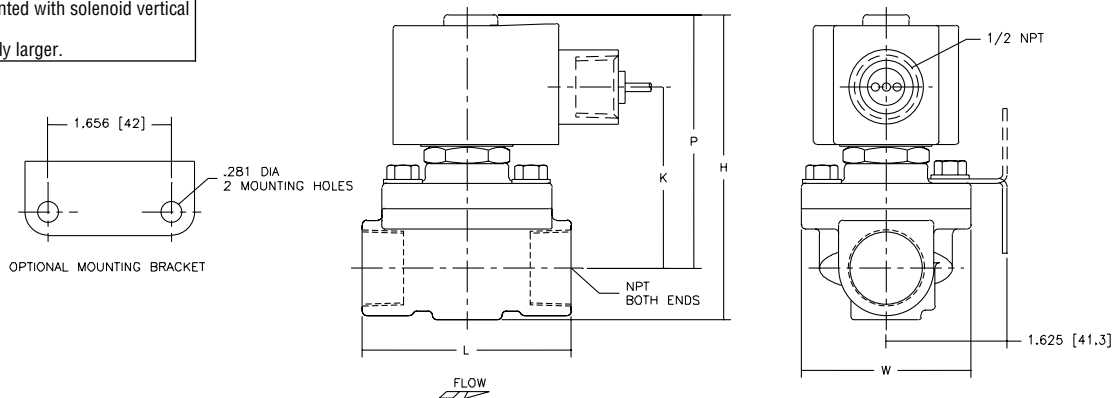
Constr. Refs. 1, 2



Constr. Ref. 13



Constr. Refs. 5-9, 11, 20, 21, 23, 25, 37, 38

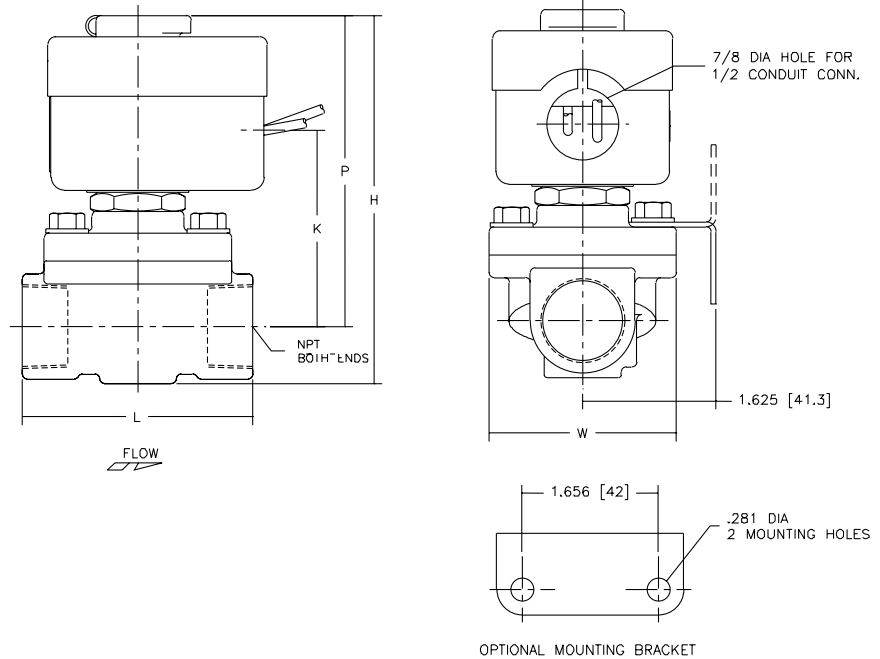


Dimensions: inches (mm)

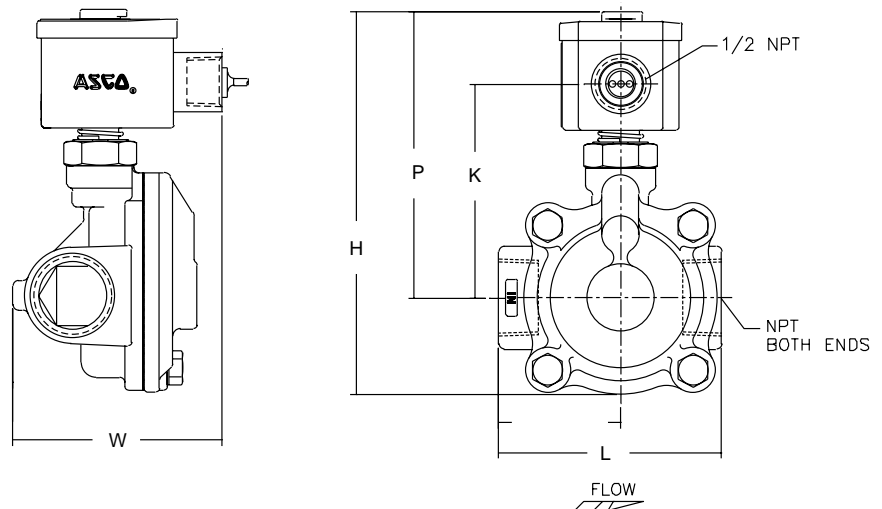
| Constr. Ref. No. |      | H    | K    | L    | P    | W    |
|------------------|------|------|------|------|------|------|
| 30               | ins. | 8.22 | X    | 5.06 | 5.47 | 4.87 |
|                  | mm   | 209  | X    | 129  | 139  | 124  |
| 31               | ins. | 5.25 | X    | 3.75 | 4.44 | 3.25 |
|                  | mm   | 133  | X    | 95   | 113  | 83   |
| 32               | ins. | 5.69 | X    | 3.66 | 4.69 | 3.25 |
|                  | mm   | 145  | X    | 93   | 119  | 83   |
| 33               | ins. | 6.06 | X    | 4.38 | 4.94 | 3.91 |
|                  | mm   | 154  | X    | 111  | 125  | 99   |
| 34               | ins. | 6.91 | X    | 3.75 | 6.09 | 3.25 |
|                  | mm   | 176  | X    | 95   | 155  | 83   |
| 35               | ins. | 7.34 | X    | 3.66 | 6.34 | 3.25 |
|                  | mm   | 186  | X    | 93   | 161  | 83   |
| 36               | ins. | 7.66 | X    | 4.38 | 6.56 | 3.91 |
|                  | mm   | 195  | X    | 111  | 167  | 99   |
| 37               | ins. | 4.61 | 2.75 | 2.81 | 3.89 | 2.39 |
|                  | mm   | 117  | 70   | 71   | 99   | 61   |
| 38               | ins. | 4.61 | 2.75 | 2.81 | 3.89 | 2.39 |
|                  | mm   | 117  | 70   | 71   | 99   | 61   |
| 39               | ins. | 5.42 | 2.31 | 2.75 | 4.86 | 3.80 |
|                  | mm   | 138  | 59   | 70   | 123  | 97   |
| 40               | ins. | 5.20 | 3.29 | 2.81 | 4.50 | 2.28 |
|                  | mm   | 132  | 83   | 71   | 114  | 58   |
| 41               | ins. | 5.13 | 3.10 | 3.75 | 4.32 | 3.25 |
|                  | mm   | 130  | 79   | 95   | 110  | 83   |
| 42               | ins. | 6.43 | 4.40 | 3.93 | 5.62 | 3.25 |
|                  | mm   | 163  | 112  | 100  | 143  | 83   |
| 43               | ins. | 5.57 | 3.35 | 3.66 | 4.57 | 3.25 |
|                  | mm   | 142  | 85   | 93   | 116  | 83   |
| 44               | ins. | 5.90 | 3.57 | 4.38 | 4.79 | 3.91 |
|                  | mm   | 150  | 91   | 111  | 122  | 99   |
| 45               | ins. | 5.26 | 3.17 | 3.75 | 4.38 | 3.84 |
|                  | mm   | 134  | 81   | 95   | 111  | 98   |
| 46               | ins. | 4.95 | 3.10 | 3.84 | 4.31 | 2.75 |
|                  | mm   | 126  | 79   | 98   | 110  | 70   |
| 47               | ins. | 6.43 | 3.59 | 3.75 | 4.81 | 3.52 |
|                  | mm   | 163  | 91   | 95   | 122  | 90   |
| 48               | ins. | 6.43 | 3.59 | 3.66 | 4.81 | 3.73 |
|                  | mm   | 163  | 91   | 93   | 122  | 95   |
| 49               | ins. | 6.91 | 3.75 | 4.38 | 4.96 | 4.40 |
|                  | mm   | 176  | 95   | 111  | 126  | 112  |
| 50               | ins. | 8.13 | 4.15 | 5.06 | 5.37 | 4.87 |
|                  | mm   | 207  | 105  | 129  | 136  | 124  |
| 51               | ins. | 8.13 | 4.15 | 5.50 | 5.37 | 5.18 |
|                  | mm   | 207  | 105  | 140  | 136  | 132  |

**IMPORTANT:** Valves may be mounted in any position, except as noted in specifications table.

Constr. Refs. 10, 15, 24, 26-36



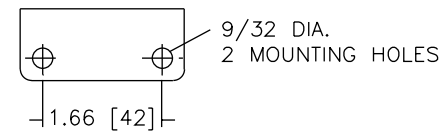
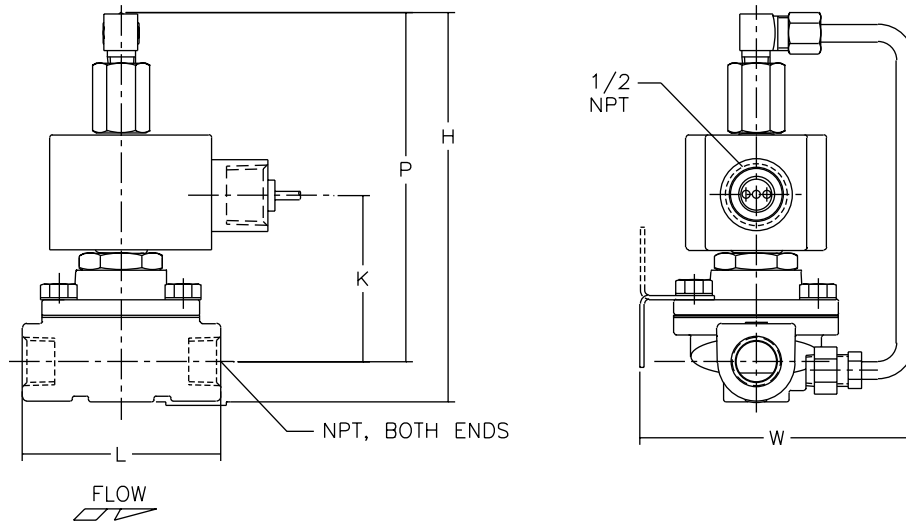
Constr. Refs. 12, 16, 18



**Note:** Valve must be mounted with solenoid vertical and upright.

Dimensions: inches (mm)

Constr. Refs. 39



SHOWING MOUNTING  
BRACKET ONLY

Constr. Refs. 40-51

